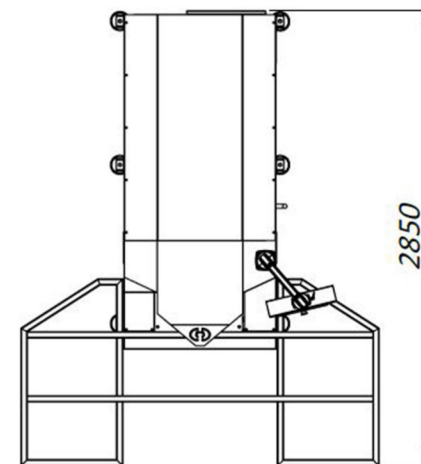
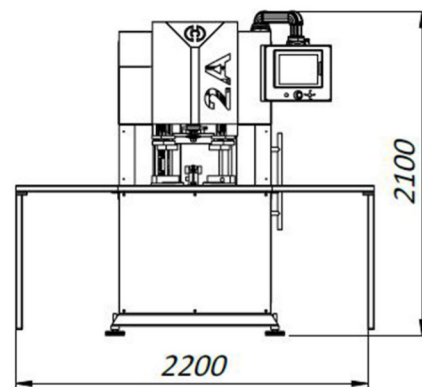
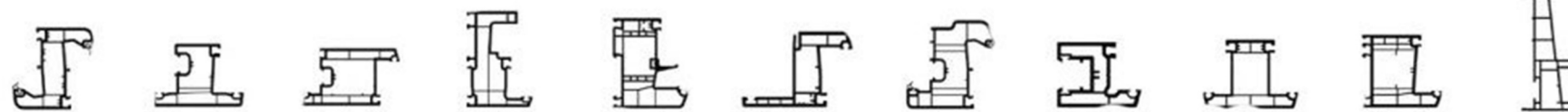
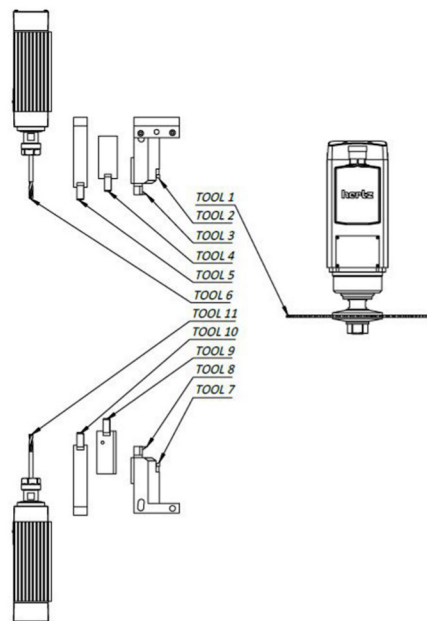


TECHNICAL FEATURES

- Designed to clean the corners of PVC profiles from welding seals.
 - High speed precision control system with 2-axis servo motors.
 - Ability to define and recognize different profile heights.
- Surface cleaning tool selection feature according to colored or white profiles.
- Allow remote connection and control access via network connection.
- Industrial PC based control panel unit
 - Easy file transfer with USB
 - 18,5 inch touch screen.
 - Automatic Lubrication System
 - It has the ability to define and process files in dxf and dwg formats created in cad programs with Windows-based PC operating system.
- Maximum 200 mm minimum 40 mm profile processing range.
 - Ability to operate with 11 tools.

OPTIONAL EQUIPMENT

- Optionally, it can be connected to a 2-axis robotic turning station and can be adapted to a 4-corner welding machine.



TECHNICAL FEATURES

ELECTRICAL VALUE	: 380-400V, 3ph, 50-60 Hz
TOTAL KW	: 7 kW, 17 A
MOTOR KW	: 1 kW
AIR CONSUMPTION	: 102 lt/min
AIR PRESSURE	: 6-8 Bar

PROCESSING DIMENSIONS

MIN. HEIGHT	: 40 mm
MAX. HEIGHT	: 200 mm
MAX. WIDTH	: 130 mm
DAILY PRODUCT (8 HOUR)	: 200-240 SASH

MACHINE DIMENSIONS

MACHINE HEIGHT	: 2100 mm
MACHINE LENGTH	: 2200 mm
MACHINE WIDTH	: 2850 mm
MACHINE WEIGHT	: 1100kg

SAW DIMENSIONS

SAW OUTSIDE DIA.	: Ø250 mm
SAW INSIDE DIA.	: Ø30 mm
SAW THICKNESS	: 2.8 mm
TEETH NUMBER	: 80
SAW BLADE SPEED	: 3000 Rpm